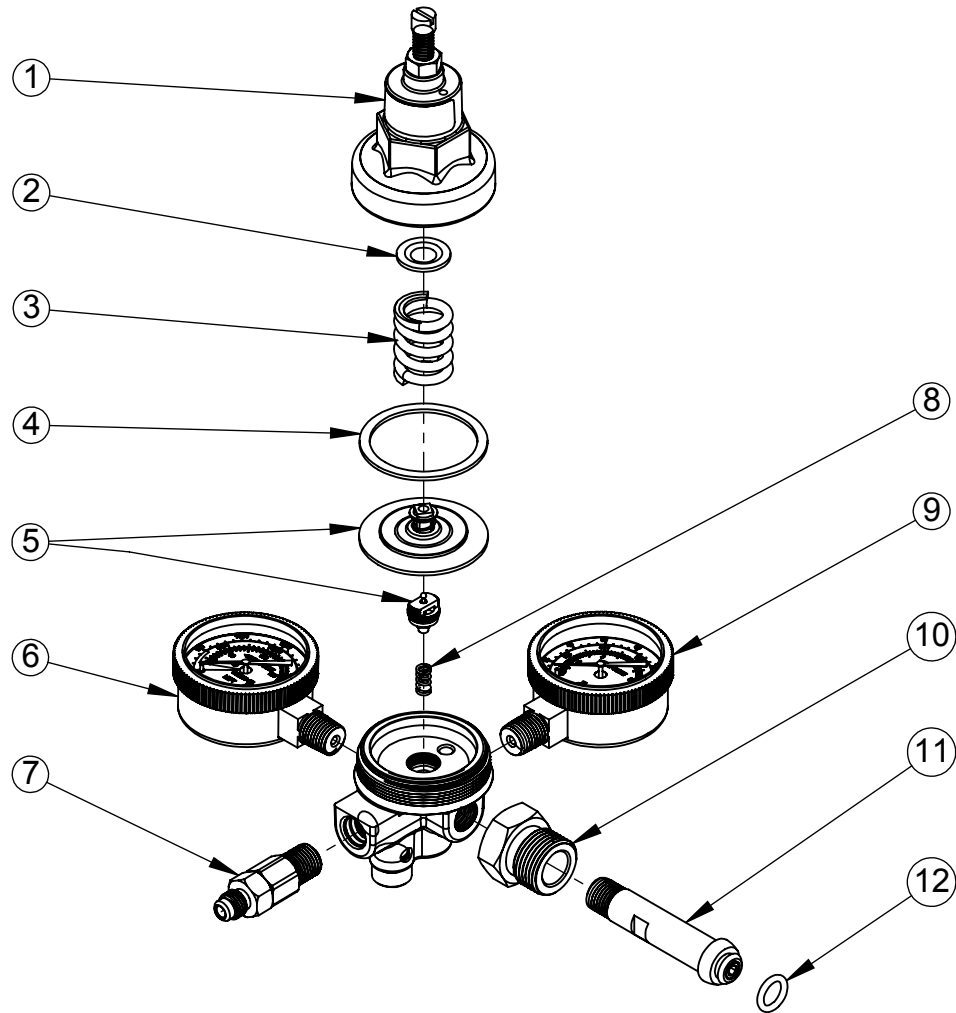


REGULATOR ASSEMBLY

PARTS BREAKDOWN



<u>ITEM</u>	<u>PART NO</u>	<u>DESCRIPTION</u>
1.	740-2NPA	-ZINC BONNET, BLACK
2.	***	-SPRING RETAINER
3.	***	-HIGH PRESSURE DIAPHRAGM SPRING
4.	***	-DIAPHRAGM/BONNET GASKET
5.	7740-15N	-DIAPHRAGM REPAIR KIT - 2" BALL/SOCKET TYPE DIAPHRAGM, CAPSULE, AND O-RING (ITEM 12)
6.	6603	-3000 PSI TANK GAUGE, LEFT HAND THREAD
7.	5436A	-1/4" SAE FLARE FITTING WITH BALL CHECK
8.	***	-CAPSULE SPRING
9.	5605	-160 PSI GAUGE
10.	740-13N	-NITROGEN TANK NUT
11.	740-12N	-NITROGEN TANK NIPPLE WITH O-RING, LEFT HAND THREAD
12.	2406-11	-O-RING FOR NITROGEN TANK FITTING

*** NOT NORMALLY REPLACED WHEN REPAIRING REGULATOR