

Shown with Forno Bravo Cucina 110G oven stand with non-combustible hearth

Gas Requirements:

Refer to Gas Burner Drawing for air, & access requirements

Clearance to combustibles:

- 1" clearance all the way around side walls;
- 14" above completed dome assembly;
- 30" Side clearance from door opening;
- 36" from front of oven landing to combustibles;
- Non-combustible hearth.

Specifications:

- Wood, liquid gas or propane fuel;
- 24" Stainless steel flue with 8" interior; rain cap and anchor plate comes standard.
- Crate ships 62"W x 70"D x 49"H;
- Oven weight: 2031 lbs..

WARNING:

READ ALL INSTRUCTIONS IN INSTALLATION MANUAL BEFORE INSTALLING AND USING APPLIANCE. FAILURE TO FOLLOW INSTRUCTIONS MAY RESULT IN PROPERTY DAMAGE, BODILY INJURY OR EVEN DEATH.



Decorative Facade Allowances	Depth	Width
Brick Arch	Usually 5"	N/A
Brick Landing	Usually 8"	Preference
Stucco	Approx 1"	N/A
Tile	Approx 1"	Approx 2"
Stone/Brick Veneer	Approx 1"	N/A
Brick or Masonary non veneer	Check Material Spec	N/A
UL737, UL2162, NSF-4, CAN/CGA-1.8 Dual, ANSI-Z83.11 Dual, ANSI-Z21.58, CSA 1.6-2007 Listed		
For more information: www.fornobravo.com Installation guide: www.fornobravo.com/PDF/residential_install.pdf		

Made in the U.S.A. Residential Gas Fired Pizza Oven



Casa2G 110G

Gas Fired Pizza Oven w/ Stand

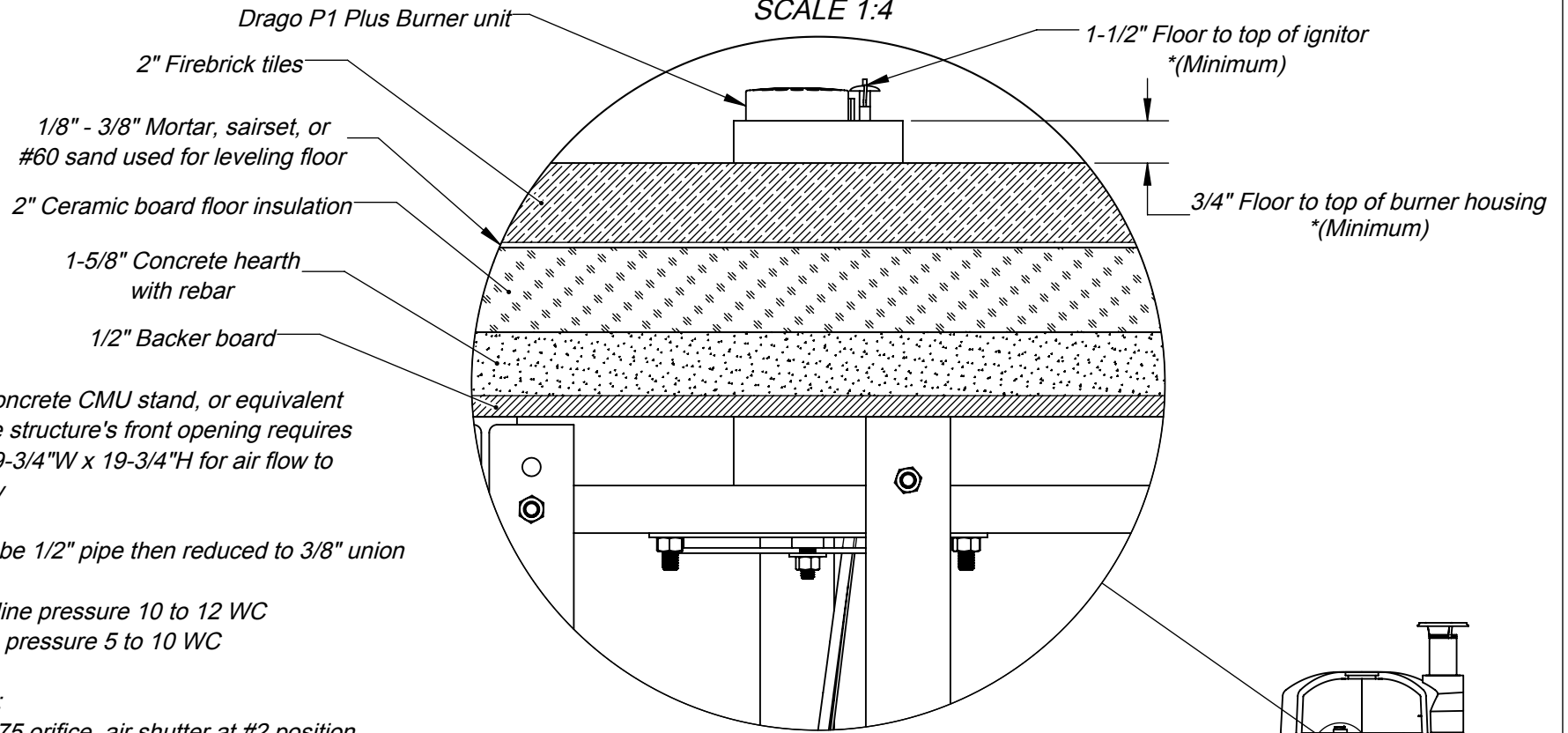
Architect Drawings SKU:FC2G110-SS-LP/NG

Revision 6/13/2016

Sheet: 1 of 7

Detailed view of burner placement

SCALE 1:4



Specifications:

Cucina stand, concrete CMU stand, or equivalent non-combustible structure's front opening requires a minimum of 19-3/4"W x 19-3/4"H for air flow to burner assembly

Gas line should be 1/2" pipe then reduced to 3/8" union

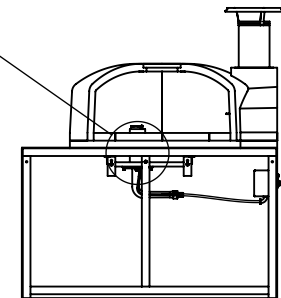
Liquid Propane line pressure 10 to 12 WC
Natural Gas line pressure 5 to 10 WC

Factory settings:

Natural Gas - 2.75 orifice, air shutter at #2 position
Liquid Propane - 2.25 orifice, air shutter at #3 position

WARNING: DO NOT CHANGE FACTORY SETTINGS WITHOUT CONSULTING MANUFACTURER OR CERTIFIED TECHNICIAN.

WARNING: READ ALL INSTRUCTIONS IN INSTALLATION MANUAL BEFORE INSTALLING AND USING APPLIANCE. FAILURE TO FOLLOW INSTRUCTIONS MAY RESULT IN PROPERTY DAMAGE, BODILY INJURY OR EVEN DEATH.



Forno Bravo Casa2G 110G Pizza Oven and Cucina 110G Modular Pizza Oven Stand

UL approved settings for gas orifices	NG	LP
Input rate w/ 2.5 orifice and air shutter at #2 setting (Btu/hr)	32000	
Input rate w/ 2.7 orifice and air shutter at #2 setting (Btu/hr)	38000	
Input rate w/ 1.75 orifice and air shutter at #3 setting (Btu/hr)		32000
Input rate w/ 2.0 orifice and air shutter at #3 setting (Btu/hr)		43000
Input rate w/ 2.25 orifice and air shutter at #3 setting (Btu/hr)		51000
Input rate w/ 2.5 orifice and air shutter at #4 setting (Btu/hr)		46000

For more information: www.fornobravo.com

Installation guide: www.fornobravo.com/PDF/residential_install.pdf

Made in the U.S.A. Residential Gas Fired Pizza Oven

FORNO BRAVO®
THE WORLD'S FINEST PIZZA OVENS

Casa2G 110G
Gas Burner Detailed View

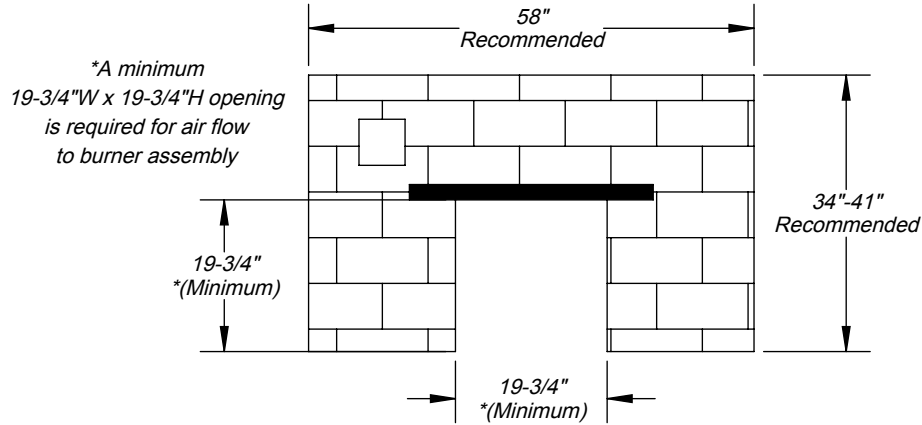
Architect Drawings

Revision 6/13/2016

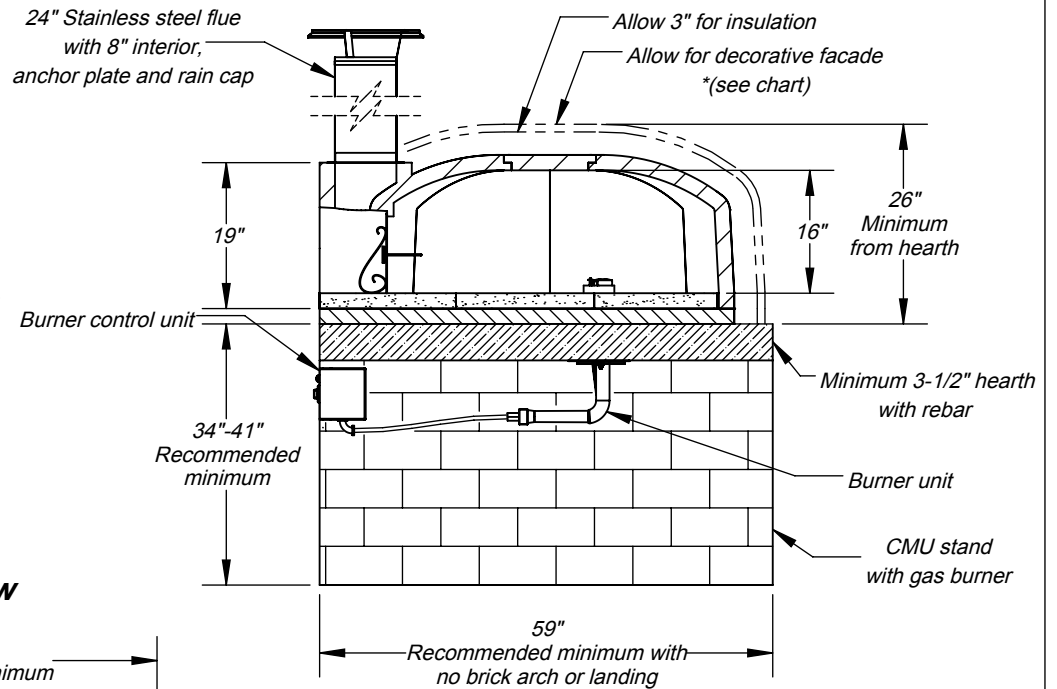
Sheet: 2 of 7



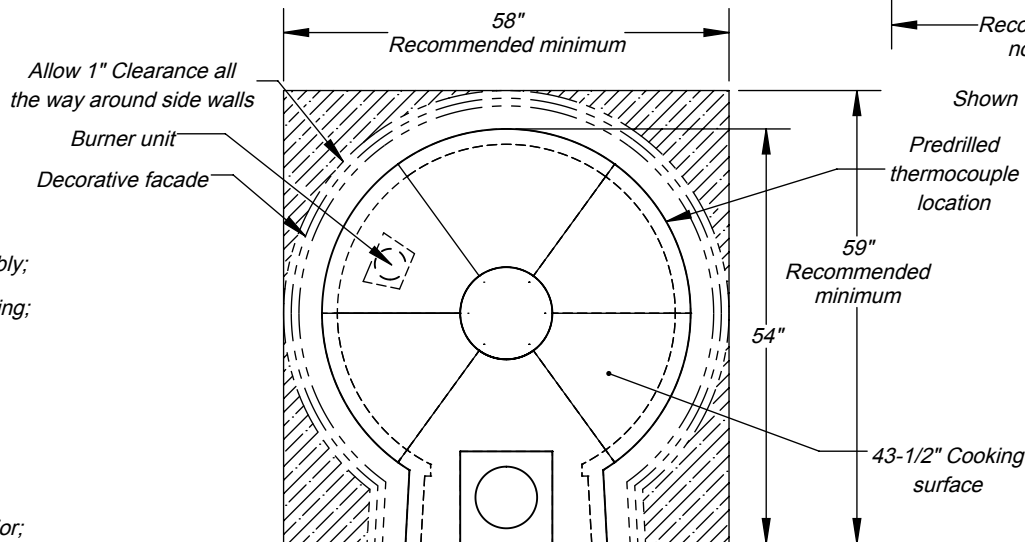
Front View



Side Elevation



Top View



Gas Requirements:

Refer to Gas Burner Drawing for air, & access requirements

Clearance to combustibles:

1" clearance all the way around side walls;

14" above completed dome assembly;

30" Side clearance from door opening;

36" from front of oven landing to combustibles;

Non-combustible hearth.

Specifications:

Wood, liquid gas or propane fuel;

24" Stainless steel flue with 8" interior; rain cap and anchor plate comes standard.

Crate ships 45"W x 51"D x 47"H;

Oven weight: 1296 lbs..

WARNING:

READ ALL INSTRUCTIONS IN INSTALLATION MANUAL BEFORE INSTALLING AND USING APPLIANCE. FAILURE TO FOLLOW INSTRUCTIONS MAY RESULT IN PROPERTY DAMAGE, BODILY INJURY OR EVEN DEATH.

UL737, UL2162, NSF-4, CAN/CGA-1.8 Dual, ANSI-Z83.11 Dual, ANSI-Z21.58, CSA 1.6-2007 Listed

For more information: www.fornobravo.com
Installation guide: www.fornobravo.com/PDF/residential_install.pdf



Intertek



Intertek

Made in the U.S.A. Residential Gas Fired Pizza Oven

FORNO BRAVO
THE WORLD'S FINEST PIZZA OVENS

Casa2G 110G

Concrete Masonry Unit (CMU)

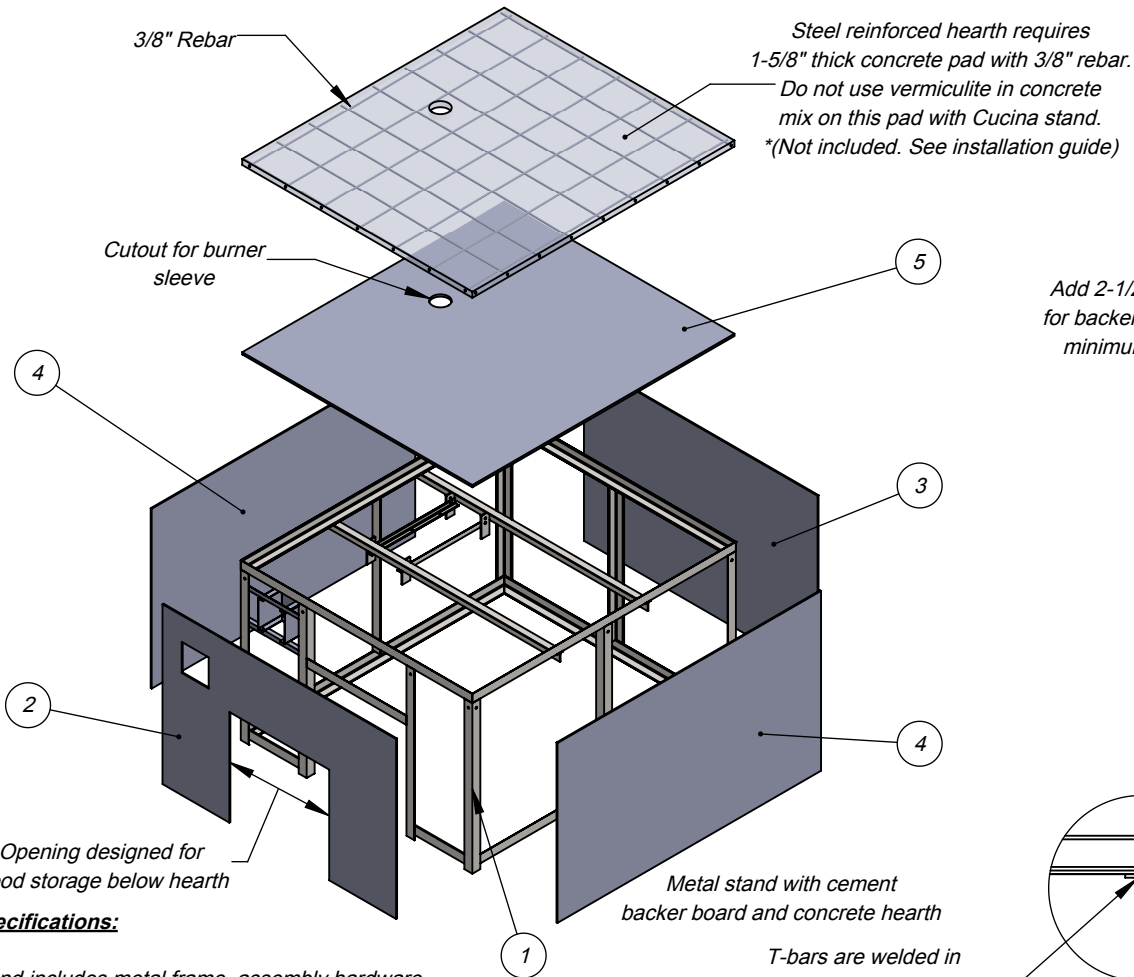
Architect Drawings

SKU: CMU

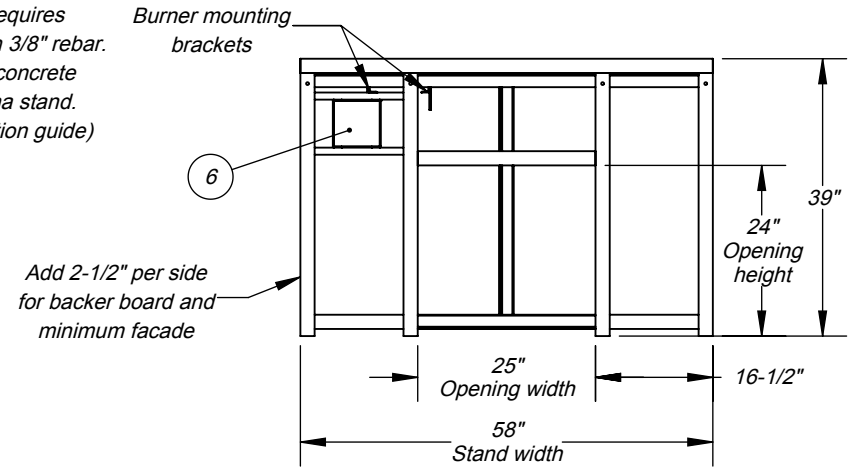
Revision 6/13/2016

Sheet: 3 of 7

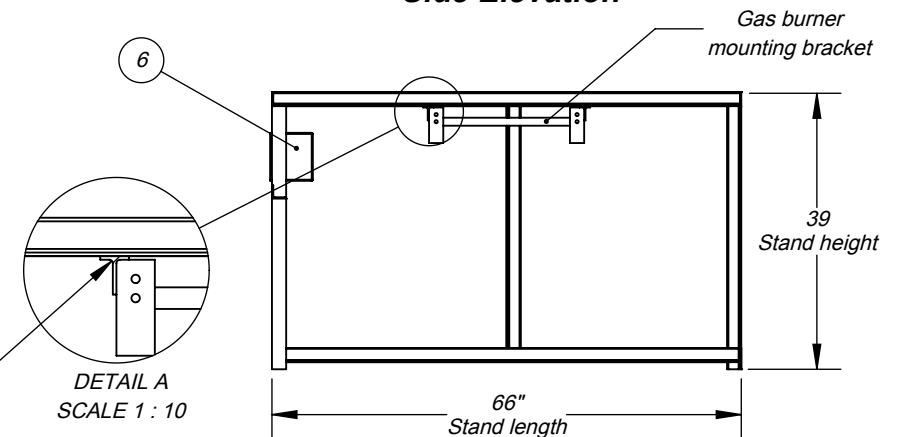
ISO View



Front View



Side Elevation



Specifications:

Stand includes metal frame, assembly hardware, precut / predrilled exterior cement backer board panels.

The Cucina 110G stand works with Casa2G 110G and Premio2G 100G ovens.

*Hearth materials not included. See installation guide.

WARNING:
READ ALL INSTRUCTIONS ON INSTALLATION MANUAL BEFORE INSTALLING AND USING APPLIANCE. FAILURE TO FOLLOW INSTRUCTIONS MAY RESULT IN PROPERTY DAMAGE, BODILY INJURY OR EVEN DEATH.

For more information: www.fornobravo.com

Installation guide: www.fornobravo.com/PDF/residential_install.pdf



ITEM#	PART NAME	DESCRIPTION	QTY
1	Cucina2G 110G	Metal frame substructure	1
2	Front Panel	1/4" Pre-cut Backer Board	1
3	Back Panel	1/4" Pre-cut Backer Board	1
4	Side Panel	1/4" Pre-cut Backer Board	2
5	Top Panel	1/2" Pre-cut Backer Board	1
6	Control Box Mount	Secures burner control unit	1
7	Hex Bolt, 3/8" x 1"	*Not displayed	10
8	Hex Nut, 3/8"	*Not displayed	10
9	Self Tapping Screw	*Not displayed	55
	*Concrete Hearth	* See installation guide	
	*Rebar	* See installation guide	

Made in the U.S.A. Residential Gas Fired Pizza Oven

FORNO BRAVO®
 THE WORLD'S FINEST PIZZA OVENS

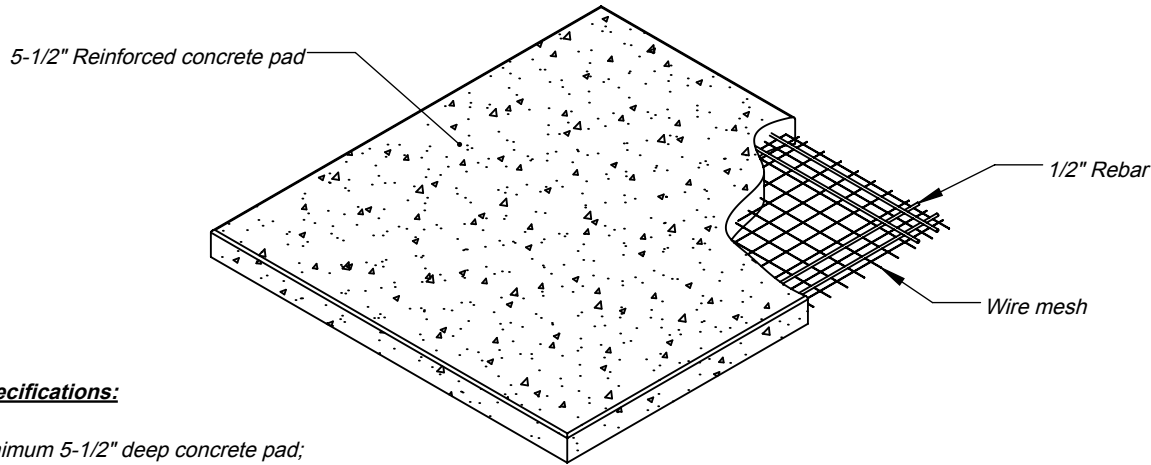
Cucina 110G
 Gas Fired Pizza Oven Stand

Architect Drawings SKU: ICS110G

Revision 6/13/2016

Sheet: 4 of 7

ISO View



Specifications:

Minimum 5-1/2" deep concrete pad;

Reinforced with 1/2" rebar and wire mesh. * wire mesh is not shown in some views for print clarity;

Cut rebar and wire mesh short to conceal inside concrete pad;

*CMU stand requires a minimum cement foundation pad of 66"W x 69"D

Slab dimensions:

Minimum 8" wider than oven stand and hearth;

Minimum 10" deeper than oven stand and hearth;

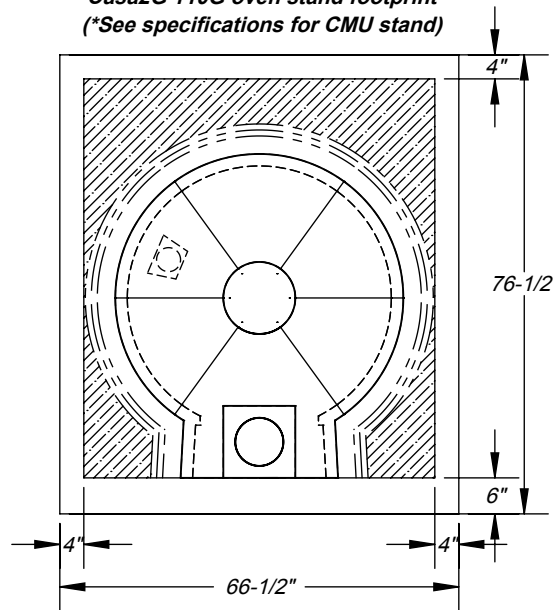
Finished slab should be 2" to 3" above ground level;

Refer to local building codes for recommendations regarding soil compaction, frost line and other considerations. Depending on local conditions, you may have to excavate down 18" or more of topsoil to reach stable substrate.

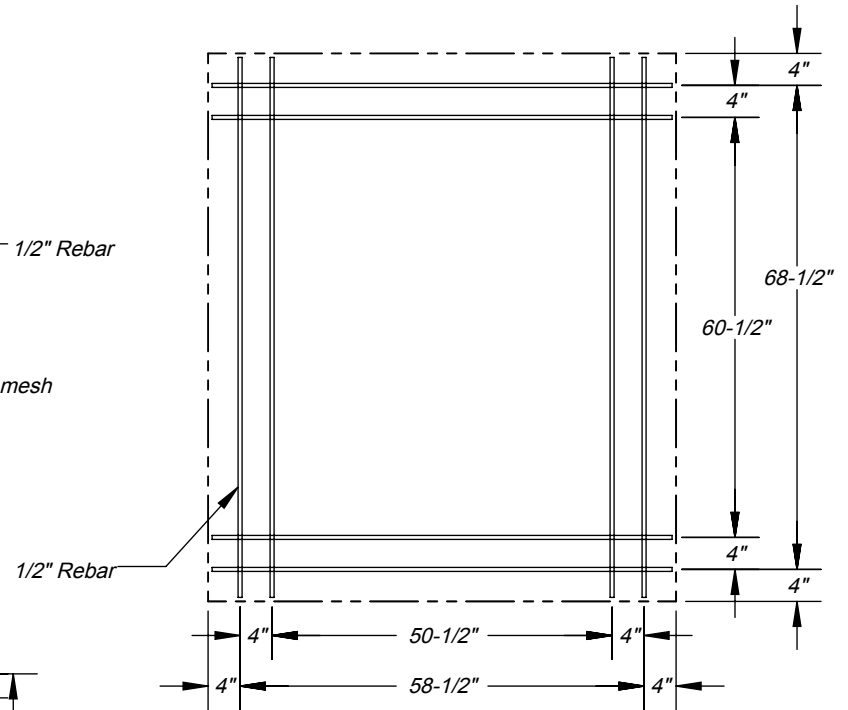
WARNING:

READ ALL INSTRUCTIONS IN INSTALLATION MANUAL BEFORE INSTALLING AND USING APPLIANCE. FAILURE TO FOLLOW INSTRUCTIONS MAY RESULT IN PROPERTY DAMAGE, BODILY INJURY OR EVEN DEATH.

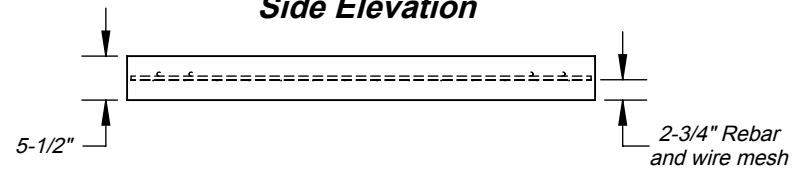
Casa2G 110G oven stand footprint
(*See specifications for CMU stand)



Top View



Side Elevation



For more information: www.fornobravo.com

Installation guide: www.fornobravo.com/PDF/residential_install.pdf

Made in the U.S.A. Residential Gas Fired Pizza Oven



Casa2G 110G
Gas Fired Pizza Oven Pad
Architect Drawings



Revision 6/13/2016

Sheet: 5 of 7

Casa2G 110G Pizza Oven Kit includes:

- Commercial grade refractory oven dome with integral vent
- 2" ceramic fiber insulation board
- 3" ceramic fiber insulation blanket (multiple 1" thick blankets)
- NSF-4 rated fireclay cooking surface
- High temp refractory mortar to seal dome joints
- Single wall stove pipe, anchor plate, 24" pipe and cap
- Single wall steel powder coated door
- Door thermometer

Home Gas Features includes:

- Fuel: Wood, liquid propane or natural gas
- Drago P1 Plus burner assembly (specify, natural gas or liquid propane)
- Burner ignition box with four settings (off, pilot, low and high flame)
- Stainless steel ash guard for burner
- Remote thermometer
- Gas leak detector
- Gas valve regulator

Sold separately:

- UL certified spark arrestor
- Decorative brick arch
- Double wall insulated steel door to retain heat longer
- Cucina stand with steel frame and hardie-backer board precut
- Stove pipe extensions
- Upgrade to double wall chimney for indoor installations / covered patios
- Pizza Oven Tools, infrared thermometer, gloves and other items

To be provided by customer / contractor:

- Concrete support pad with rebar (or equivalent structure)
- Concrete masonry stand (CMU) or equivalent non-combustible structure
- Decorative facade materials (stucco, brick, tile, steel, etc.)

Certifications:

Tested and compliant with:

UL737, UL2162, NSF-4, CAN/CGA-1.8 Dual, ANSI-Z83.11 Dual, ANSI-Z21.58-CSA 1.6-2007

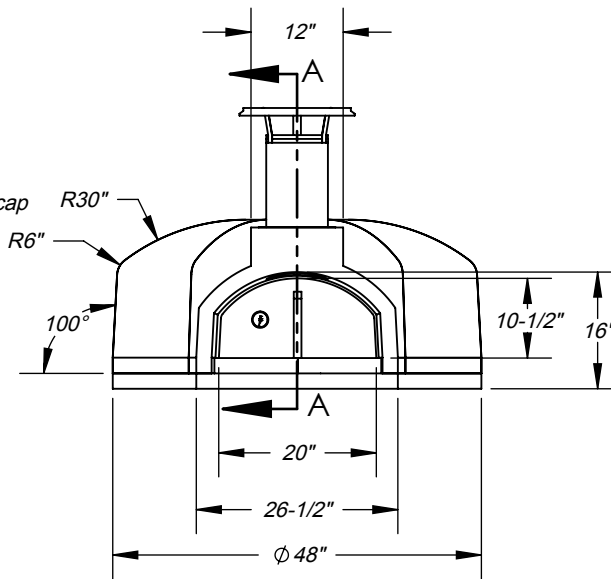
For more information about our certifications, click here: www.fornobravo.com/ul-certified

WARNING:

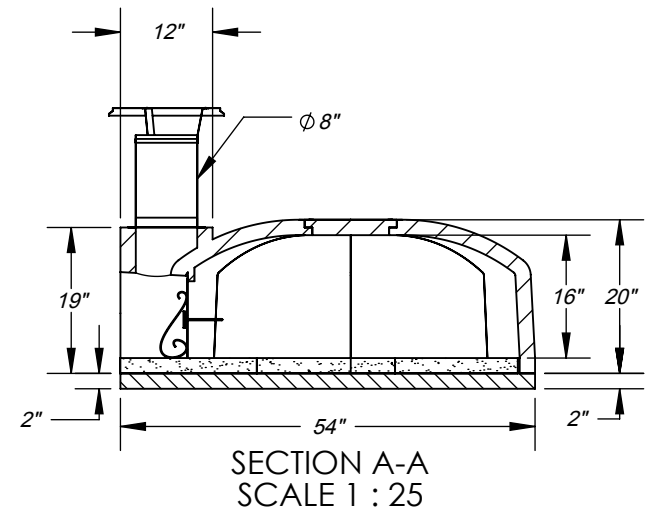
**READ ALL INSTRUCTIONS IN INSTALLATION MANUAL BEFORE INSTALLING AND USING APPLIANCE.
FAILURE TO FOLLOW INSTRUCTIONS MAY RESULT IN PROPERTY DAMAGE, BODILY INJURY OR EVEN DEATH**

Installation manual can be found by clicking on this link: www.fornobravo.com/PDF/residential_install.pdf

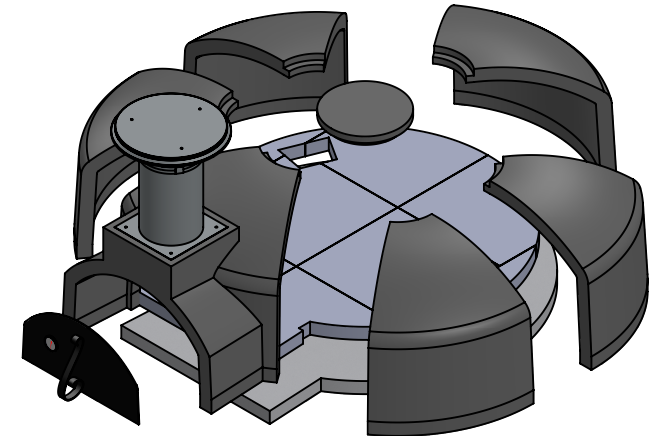
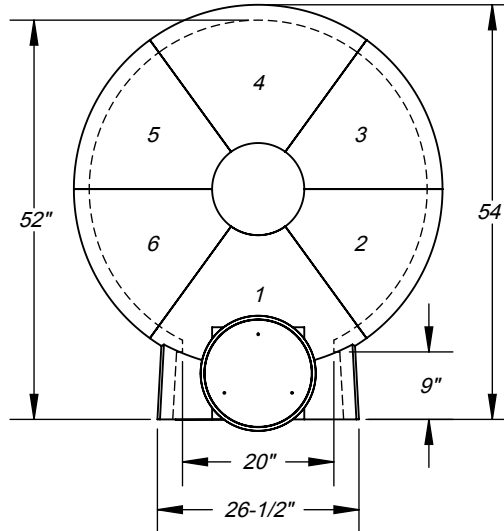
Front View



Side Elevation



Top View



Made in the U.S.A. Residential Gas Fired Pizza Oven

FORNO BRAVO®
THE WORLD'S FINEST PIZZA OVENS

Casa2G 110G
Gas Fired Pizza Oven

Architect Drawings



Intertek



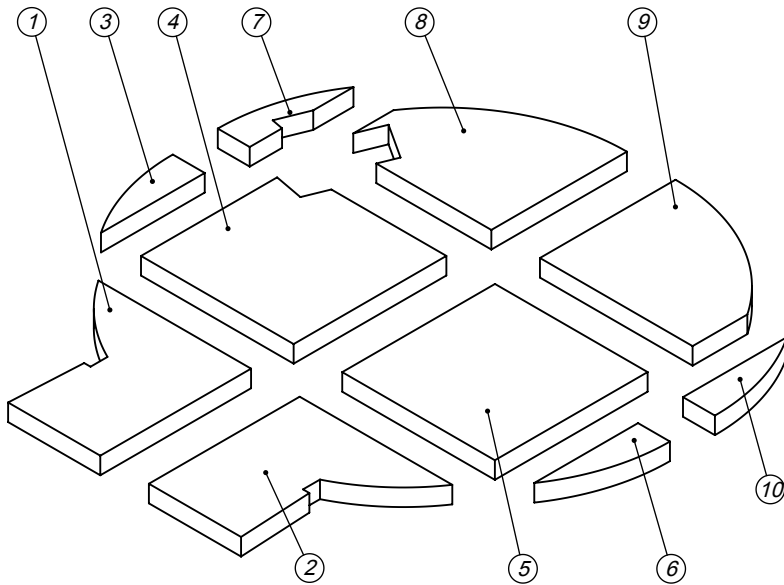
Intertek

Forno Bravo
251 W. Market St.
Salinas, CA 93901 c
(800 407-5119

Revision 6/13/2016

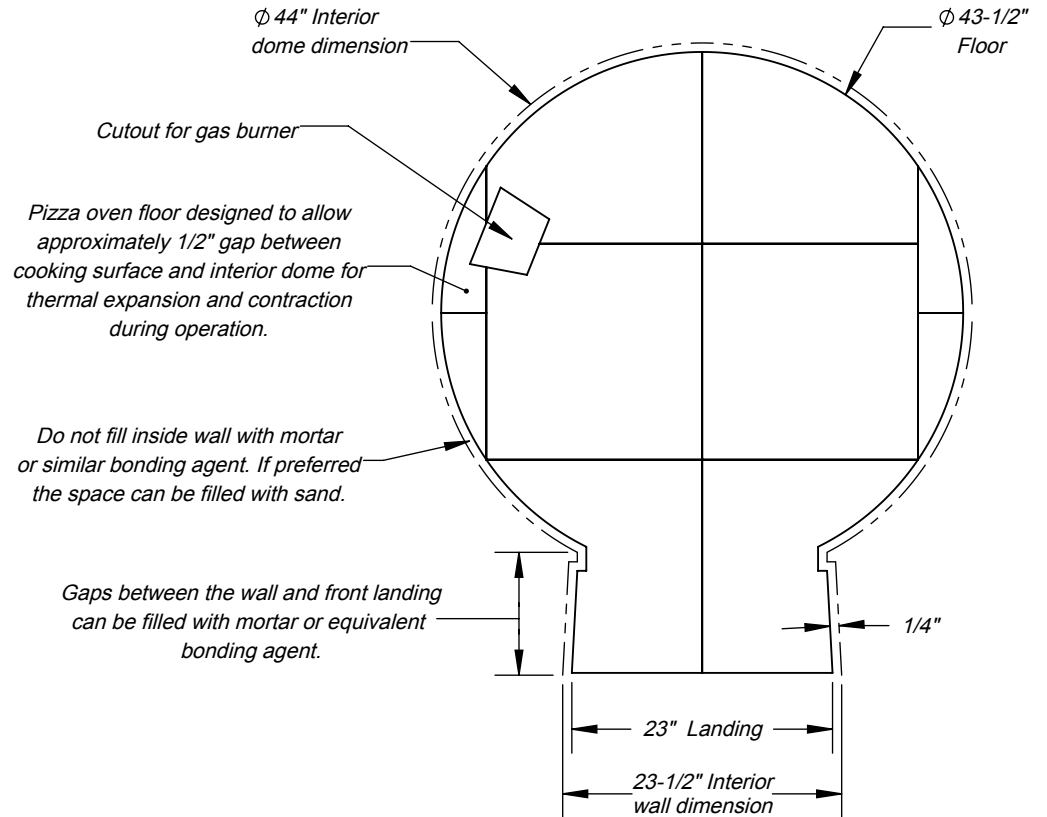
Sheet: 6 of 7

ISO View

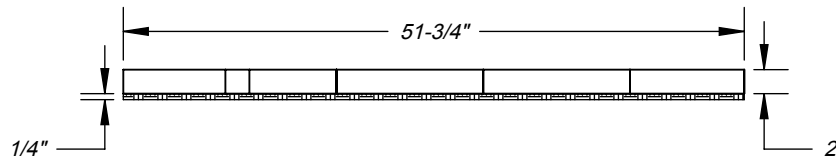


When ordering replacement tiles, reference tile number, pizza oven model and date of purchase.

Top View



Side Elevation



1/4" mortar, sairset, or #60 mesh sand to level pizza oven floor.

Specifications:

Pizza oven floor is NSF-4 rated with 2" thick surface.

Use 1/4" mortar, sairset or #60 mesh sand to level the pizza oven floor.

No more than 3/8" filler around landing or door may not fit.

WARNING:

READ ALL INSTRUCTIONS IN INSTALLATION MANUAL BEFORE INSTALLING AND USING APPLIANCE. FAILURE TO FOLLOW INSTRUCTIONS MAY RESULT IN PROPERTY DAMAGE, BODILY INJURY OR EVEN DEATH.

For more information: www.fornobravo.com

Installation guide: www.fornobravo.com/PDF/residential_install.pdf

Made in the U.S.A. Residential Gas Fired Pizza Oven

FORNO BRAVO[®]
THE WORLD'S FINEST PIZZA OVENS

Casa2G 110G
Pizza Oven Floor Tile Layout
Architect Drawings

Revision 6/13/2016

Sheet: 7 of 7

