

KEG OUTLET

Black Exterior Glass Door Refrigerator

MODELS:

MCF8725GR / MCF8726GR

Standard Features:

- Black steel exterior with stainless steel interior
- Lighted header panel
- LED interior lighting standard
- Dixell electronic controller
- Maintains temperatures between 33°F – 40°F
- Four(4) shelves standard per section (MCF8725GR)
- Four(3) shelves standard per section (MCF8726GR)
- Double pane glass door
- Self-closing door(s) with automatic stay open feature
- Recessed door handle
- Door lock(s) standard
- Magnetic door gasket
- Self-contained bottom mount refrigeration system with environmentally friendly R290 refrigerant
- Pre-installed casters
- Pre-installed shelves
- NEMA-5-15P plug standard



MCF8725GR



MCF8726GR

Optional Accessories

- Extra shelves – includes 4 shelf clips per shelf

For the best results of food preservation we recommend setting your freezer between 0°F - 8 °F

1. Don't forget to leave the unit some room to breathe!
2. Please clean the condenser frequently to give the unit more fresh air.



2 YEAR PARTS AND LABOR WARRANTY (US ONLY)
5 YEAR COMPRESSOR PART WARRANTY (US ONLY)

Model	Lighted header panel overall dimensions	Lighted header panel visual dimensions
MCF8725GR	23 ^{7/8} × 4 ^{5/8}	22 ^{3/4} × 3 ^{1/2}
MCF8726GR	23 ^{7/8} × 4 ^{1/2}	N/A



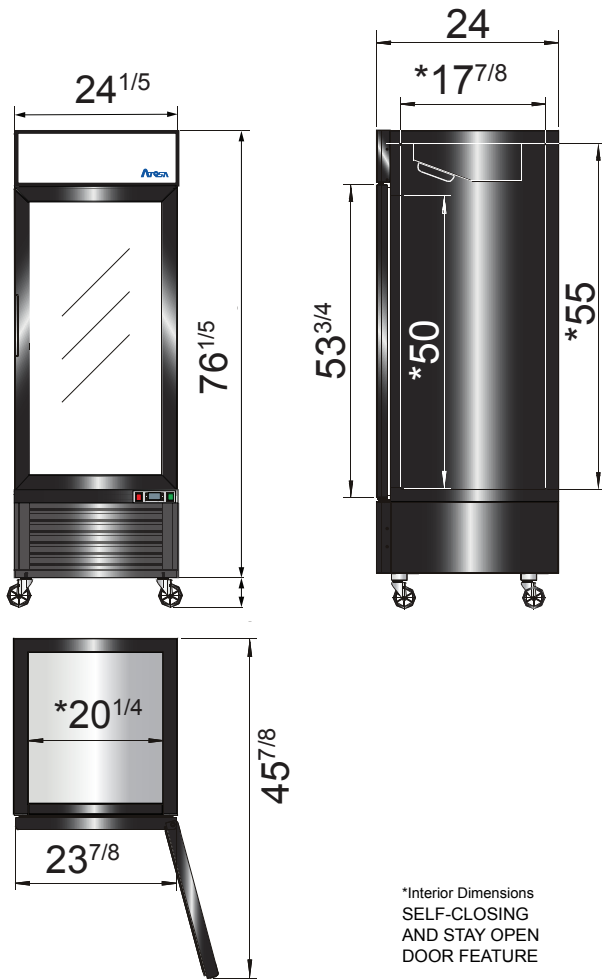
KEG OUTLET

SPECIFICATIONS

Model	Doors	Capacity Cu. Ft	Shelves	Casters (inch)	Amps (A)	Voltage (V/Hz/Ph)	HP	Refrigerant	Exterior Dimension (inch)	Net Weight (lbs)	Gross Weight (lbs)
MCF8725GR	1	11.1	4	2	2.1	115/60/1	1/7	R290	24 ^{1/5} × 24 × 76 ^{1/5}	227	251
MCF8726GR	1	8.3	3	2	2.1	115/60/1	1/7	R290	24 ^{1/5} × 24 × 63 ^{1/5}	190	210

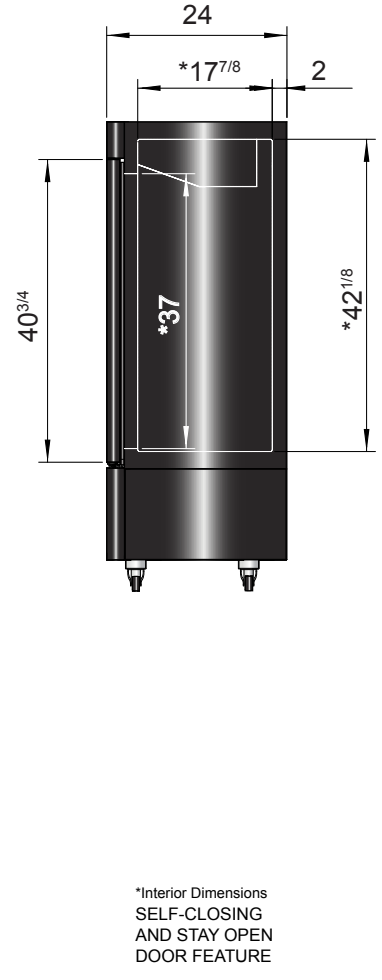
PLAN VIEW

MCF8725GR



*Interior Dimensions
SELF-CLOSING
AND STAY OPEN
DOOR FEATURE

MCF8726GR



*Interior Dimensions
SELF-CLOSING
AND STAY OPEN
DOOR FEATURE

Casters

Temperature control

Door lock

LED lights

Epoxy shelves

