

## Bottom Mount Reach-In Refrigerators

MODELS:

MBF8519GR

### Standard Features

- Bottom mount compressor units with environmentally friendly R290 refrigerant
- Stainless steel exterior & interior
- Digital controller
- Maintains temperatures between 33°F – 40°F
- LED interior light(s)
- Recessed door handle(s)
- Door lock(s) standard
- Magnetic door gasket(s) standard for positive door seal
- Pre-installed casters
- Three(3) pre-installed shelves per section
- Down duct refrigeration to ensure even distribution of air

### Optional Accessories

- Extra shelves – includes 4 shelf clips per shelf  
MBF8519GR shelf part #: W0402316



For the best results of food preservation we recommend setting your refrigerator between 33 °F to 38 °F

1. Don't forget to leave the unit some room to breathe!
2. Please clean the condenser frequently to give the unit more fresh air.



2 YEAR PARTS AND LABOR WARRANTY (US ONLY)  
5 YEAR COMPRESSOR PART WARRANTY (US ONLY)

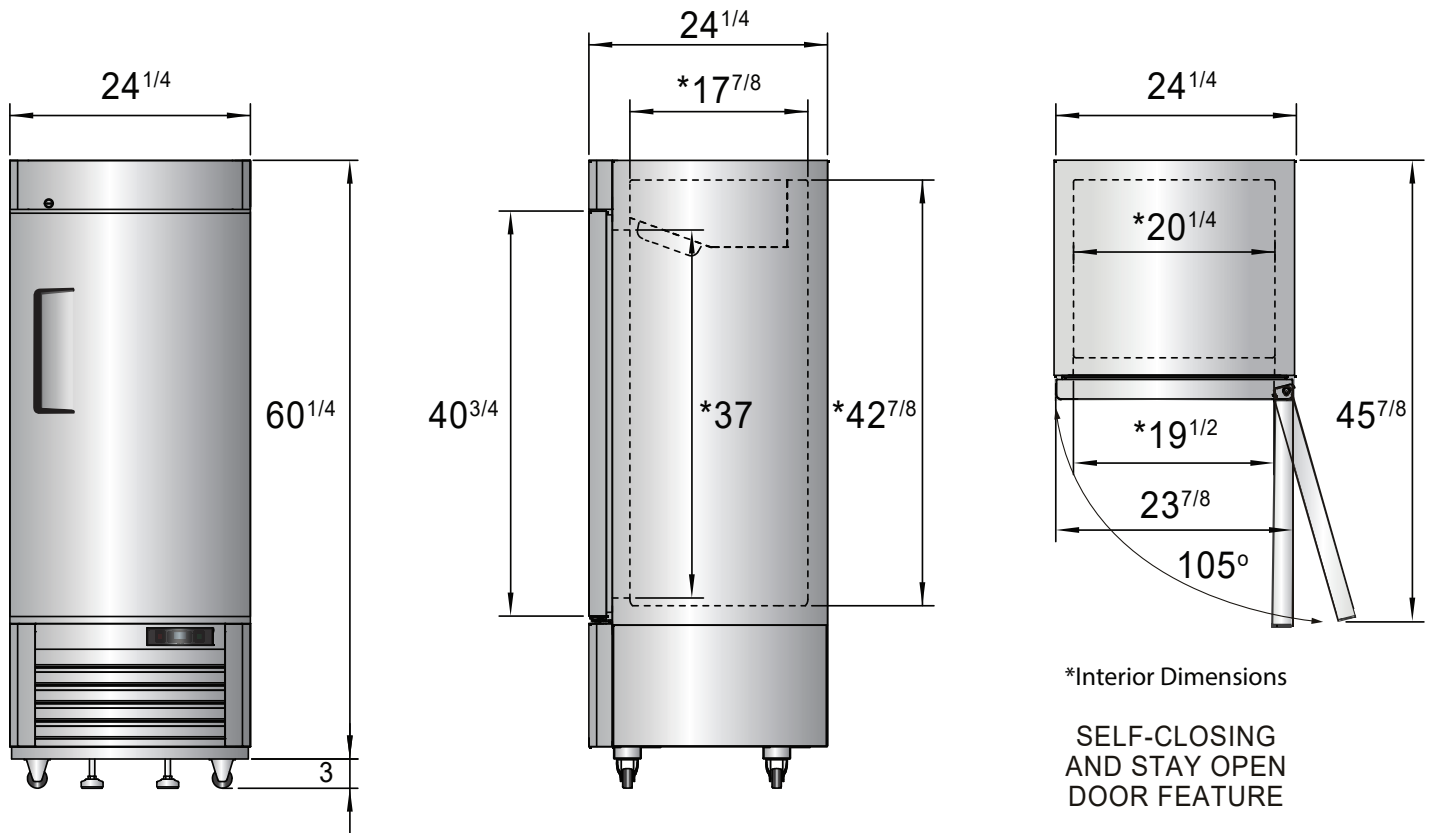


# KEG OUTLET

## SPECIFICATIONS

Models	Door	Capacity (Cu.Ft.)	Shelves	Casters (inch)	Amps (A)	Voltage (V/Hz/Ph)	HP	Refrigerant	Exterior Dimensions (inch)	Net Weight (lbs)	Gross Weight (lbs)
MBF8519GR	1	8.3	3	2	2.1	115/60/1	1/7	R290	24 <sup>1/4</sup> × 24 × 63 <sup>1/4</sup>	176	209

## PLAN VIEW



Casters

Epoxy shelves

Door lock

Down duct

Temperature control

