

- Offer variety and choice to your customer.
- Double the number of faucets on a Pro-Line 3 or 4 faucet direct draw.
- New or retro-fit an existing Pro-Line direct draw dispenser.
- Uses existing factory drip tray. Easy mounting on factory tower mounting holes.



Air Cooled




Fits Pro-Line Direct Draw Dispensers:

• MDD58	• MDD68	• MDD78	• MDD94
• MDD58S	• MDD68S	• MDD78S	• MDD94S

Features

Faucet knobs not included.

 Stainless Steel for hygiene and durability.

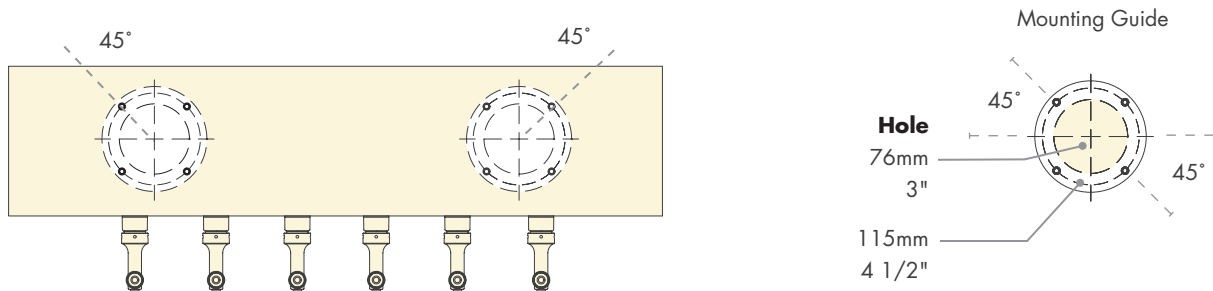
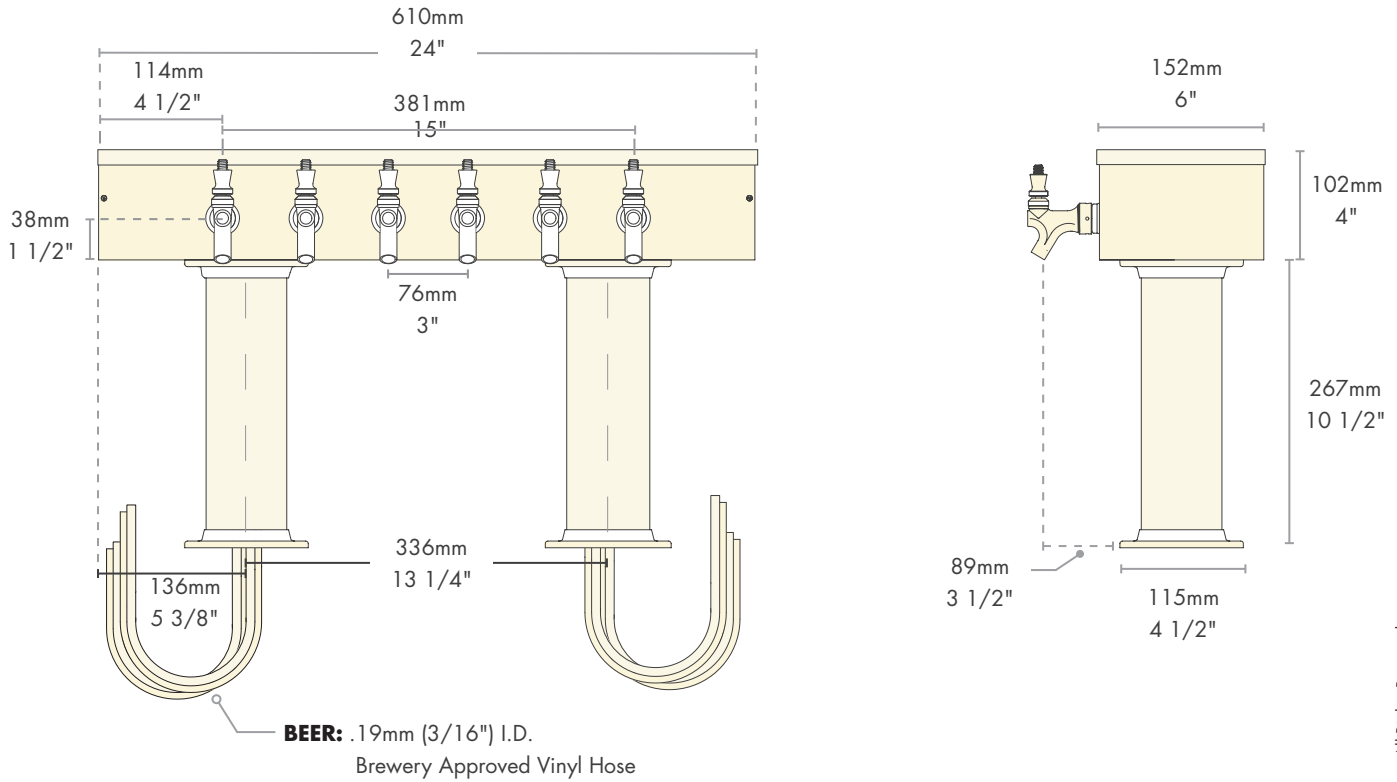
 Insulated & Air Cooled

Specifications

Micro Matic reserves the right to change specifications without notice. **AUTOQUOTES**

Part No.	Faucets	Finish	Dispense System	Shipping Weight	Box Dimensions
DPT36PSS-PL	6	Polished S/S	Air Cooled	12kg 26lbs	889mm L x 305mm W x 585mm H 35"L x 12"W x 23"H

Dimensions



Copyright ©2011 Micro Matic USA, Inc. All Rights Reserved. 01068D0811



www.micromatic.com

Toll Free: 1-(866) 327-4159

West	Central	Southeast	Northeast
19791 Bahama Street Northridge, CA 91324 Tel. (818) 701-9765 Fax. (818) 701-9844	10726 North Second Street Machesney Park, IL 61115 Tel. (815) 968-7557 Fax. (815) 968-0363	2364 Simon Court Brooksville, FL 34604 Tel. (352) 799-6331 Fax. (352) 796-2429	4601 Saucon Creek Road Center Valley, PA 18034 Tel. (610) 625-4464 Fax. (610) 625-4466